



Stainless Steel Centrifugal Electric Pump Type CDX

APPLICATIONS

- Washing machines
- Water treatment plants
- Air-conditioning plants
- Moderately aggressive fluids pumping
- Air / Humidification treatment plants
- General water supply

FEATURES

- Hydraulic robust construction
- High performances and efficiency
- Low noise
- Compact dimensions
- Integrated volute obtained from hydro-forming process



TECHNICAL DATA

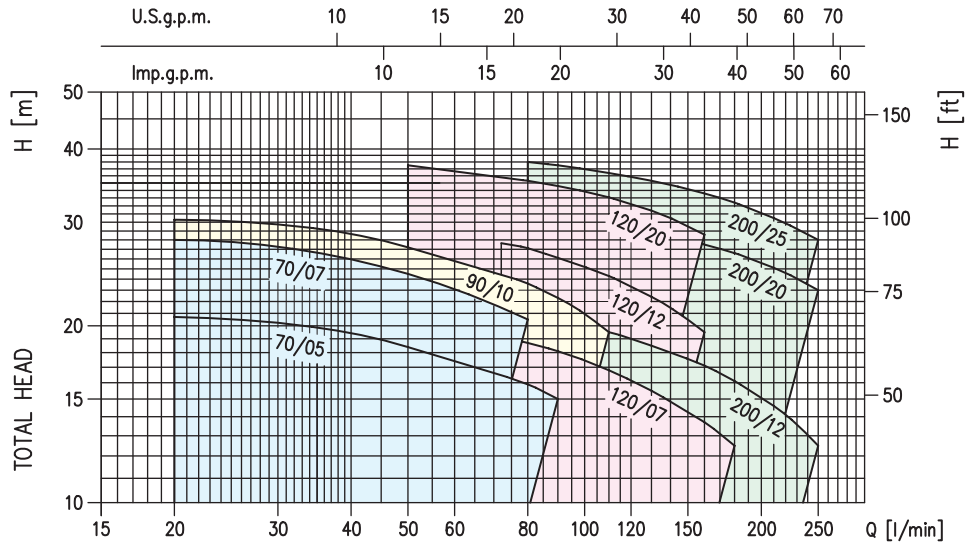
- Capacity up to 15 m³/h
- Total head up to 42m
- T.E.F.C. 2 poles motor
- Insulation class F
- Protection degree IP55
- 1 ~ 230 ± 10% 50Hz,
3 ~ 230/400V ± 10% 50Hz
- Permanent split capacitor and automatic thermal overload protection for single-phase version.
- Thermal protection to be provided by the user for three-phase version.
- DNA 1" 1/2 for CDX200, DNA 1" 1/4 for other models
- DNM 1"

SPECIFICATIONS

Liquid Handled	Type of liquid	Clean water	
	Max temperature [°C]	60 (CDX 70/05-70/07-90/10) Standard 90 standard 110 (CDXH and CDXHS) Standard	
	Min temperature [°C]	-10	
Maximum working pressure	[MPa]	0.8	
Construction	Impeller	Closed centrifugal type	
	Shaft seal type	Mechanical seal	
	Bearing	Sealed ball bearing	
Pipe Connection	Suction	G 1 1/4 (G 1 1/2 CDX200)	
	Discharge	G1	
Material	Casing	AISI 304	
	Impeller	AISI 304	
	Casing cover	AISI 304	
	Shaft seal	Ceramic / Carbon / NBR (for CDX) Standard	
		Ceramic / Carbon / FPM (for CDXH)	
		SiC / SiC / FPM (for CDXHS)	
Shaft	AISI 303 (Wet extension)		
Bracket	Aluminium		



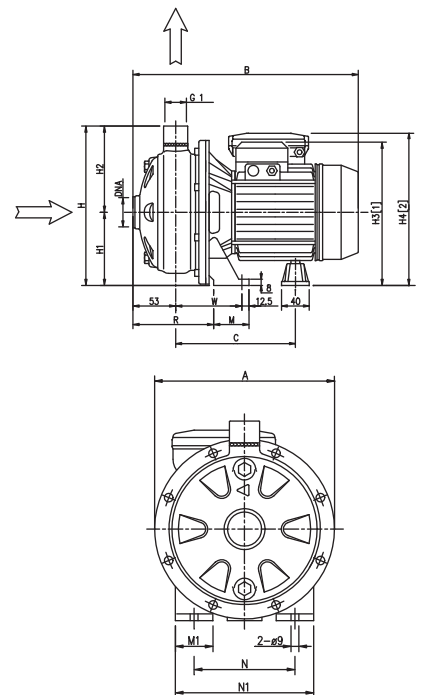
PERFORMANCE CHART



Pump Type		Power		l/min m³/h	Q = Capacity										
Single-phase 230V 50Hz	Three-phase 400V 50Hz	kW	HP		20	50	80	90	110	130	160	180	210	250	
				H = Total Head											
CDXM 70/05	CDX 70/05	0.37	0.5	20.7	18.4	15.9	15	-	-	-	-	-	-		
CDXM 70/07	CDX 70/07	0.55	0.8	28	24.5	20.5	-	-	-	-	-	-	-		
CDXM 90/10	CDX 90/10	0.75	1	30.3	27.2	23.6	22.3	19.5	-	-	-	-	-		
CDXM 120/07	CDX 120/07	0.55	0.8	-	20.5	18.7	18.1	16.8	15.5	13.7	12.5	-	-		
CDXM 120/12	CDX 120/12	0.9	1.2	-	29.5	27.1	26.1	24.3	22.4	19.5	-	-	-		
CDXM 120/20	CDX 120/20	1.5	2	-	37.5	35.3	34.6	33.1	31.4	28.6	-	-	-		
CDXM 200/12	CDX 200/12	0.9	1.2	-	-	20.6	20.2	19.5	18.5	17.1	16.1	14.6	12.5		
CDXM 200/20	CDX 200/20	1.5	2	-	-	31	30.6	29.7	28.9	27.5	26.6	25.1	23		
-	CDX 200/25	1.8	2.5	-	-	38	37.5	36.4	35.3	33.6	32.4	30.5	28		

DIMENSION

Pump Type		Dimension (mm)																
Single-phase	Three-phase	A	B		C	H	H1	H2	H3	H4	M	M1	N	N1	R	T	W	DNA
			1~	3~														
CDXM 70/05	CDX 70/05	208	318	318	178	229.5	106	123.5	209	215	50	38	120	160	108	PG11	92.5	G 1 1/4
CDXM 70/07	CDX 70/07	208	318	318	178	229.5	106	123.5	209	215	50	38	120	160	108	PG11	92.5	G 1 1/4
CDXM 90/10	CDX 90/10	208	318	318	178	229.5	106	123.5	209	215	50	38	120	160	108	PG11	92.5	G 1 1/4
CDXM 120/07	CDX 120/07	208	318	318	178	229.5	106	123.5	209	215	50	38	120	160	108	PG11	92.5	G 1 1/4
CDXM 120/12	CDX 120/12	208	318	318	178	229.5	106	123.5	209	215	50	38	120	160	108	PG13.5	92.5	G 1 1/4
CDXM 120/20	CDX 120/20	232	345	345	199	250	118	132	235	253	55	40	140	180	105.5	PG13.5	95	G 1 1/2
CDXM 200/12	CDX 200/12	208	318	318	178	229.5	106	123.5	209	215	50	38	120	160	108	PG13.5	92.5	G 1 1/2
CDXM 200/20	CDX 200/20	208	345	345	199	229.5	106	123.5	223	240	55	40	140	180	105.5	PG13.5	95	G 1 1/2
-	CDX 200/25	232	-	345	199	250	118	132	235	-	55	40	140	180	105.5	-	95	G 1 1/2



* Dimensional details are provided for reference only.
 * All specifications are subject to change without prior notice.



EBARA Pumps Malaysia Sdn Bhd
 6, Jalan TP3, UEP Subang Jaya Industrial Park,
 47620 Subang Jaya, Selangor, Malaysia.
 Tel : 03-8023 6622 Fax : 03-8023 9355
 Email : sales.epm@ebaracom.com
 Website : www.ebaracom.my



Authorised dealer: